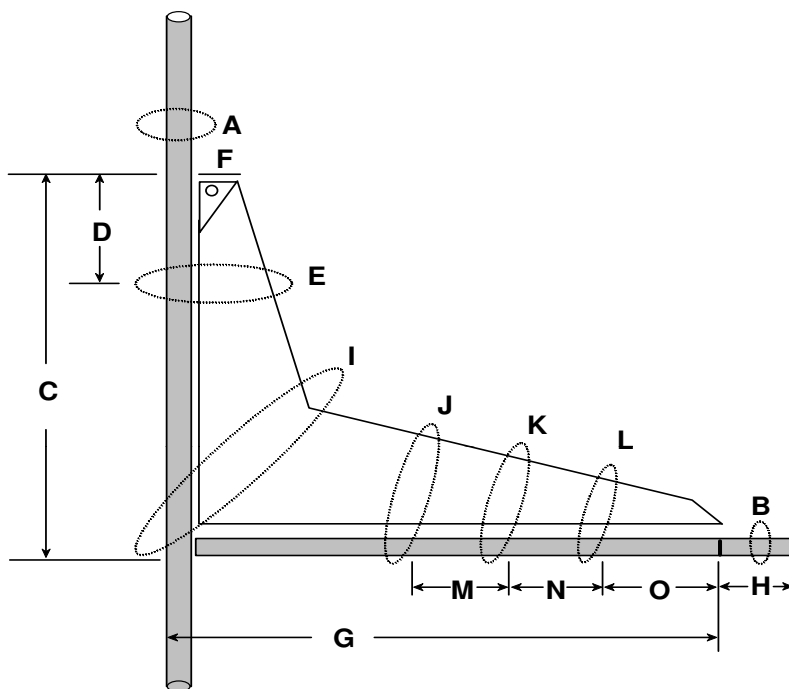


Sail and Cover Ltd, Woolverstone Marina, Woolverstone,
 Nr Ipswich, Suffolk IP9 1AS
 (Workshop up the steps by the Chandlery)
 Tel: 01473 780075
 E.Mail: info@sailandcover.co.uk



Sailcover measurement form

		millimetres
A	Mast circumference	
B	Boom circumference	
C	Height of lowered sail to underside of boom	
D	Dimension to circumference 'E'	
E	Circumference at dimension 'D'	
F	Width of headboard	
G	Length of foot to centre front of mast	
H	From end of sail to end of boom	
I	Circumference around sail and mast at 45 degrees	
J	Circumference around sail and boom	
K	Circumference around sail and boom	
L	Circumference around sail and boom	
M	Dimension from 'J' to 'K'	
N	Dimension from 'K' to 'L'	
O	Dimension from 'L' to end of sail	



Additional info